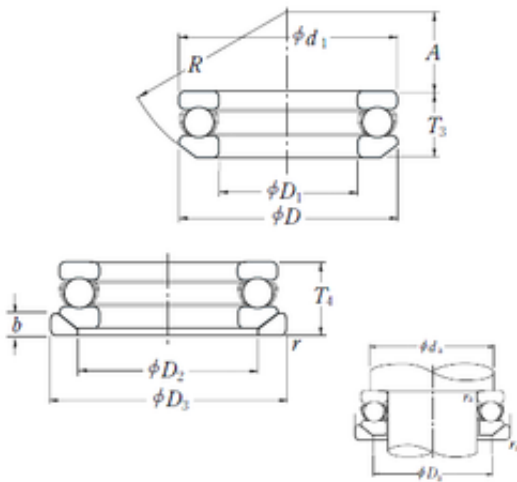




NTN Machinery Manufacturing Co., Ltd

NSK 53224U thrust ball bearings

Bearing No. 53224U



53224U Bearing 2D drawings and 3D CAD models

Size	120x170x46 mm
Bore Diameter	120 mm
Outer Diameter	170 mm
Width	46 mm
d	120 mm
D	170 mm
T	46 mm
b	15 mm
d1	170 mm
r min.	1,1 mm
A	61 mm
D1	123 mm
D2	145 mm
D3	175 mm
R	125 mm
da min.	150 mm
Da max.	140 mm
ra max.	1 mm
Weight	3,58 Kg
Basic dynamic load rating (C)	141 kN
Basic static load rating (C0)	430 kN
(Grease) Lubrication Speed	1200 r/min
SRI	9.4
hidYobi	53224U
LangID	1
D_	170



NTN Machinery Manufacturing Co., Ltd

SREX	0.065
C	141
B_	46
hidTable	ecat_NSSDTB
Oil rpm	1800
SRE	9.4
mass	3.58
GRS rpm	1200
ra	1
SRIX	0.065
T4	46
D_3	175
D_a	140
SRIN	0
C0	430
D_2	145
SREN	0
D_1	123
Prod_Type3	TB_SD_WASW
da	150
DA_	17.462
Z_	23
yobi	53224U
A_	61
T3	40.8
SDM_	145
r	1.1
KBRG	5131
R_	125