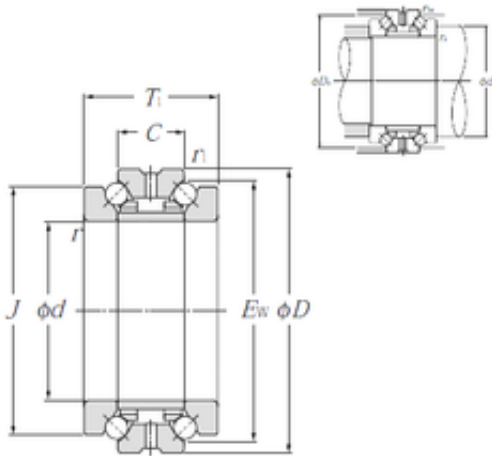




NTN Machinery Manufacturing Co., Ltd

NTN 562938M thrust ball bearings

Bearing No. 562938M



562938M Bearing 2D drawings and 3D CAD models

Bore Diameter	196 mm
Outer Diameter	244 mm
d	196 mm
D	260 mm
Ew	244 mm
T1	84 mm
C	42 mm
ra1 max.	1 mm
r min.	2 mm
r1 min.	1 mm
J	237 mm
da min.	217 mm
Da max.	252 mm
ra max.	2 mm
Weight	10,5 Kg
Basic dynamic load rating (C)	157 kN
Basic static load rating (C0)	625 kN
(Grease) Lubrication Speed	1 500 r/min