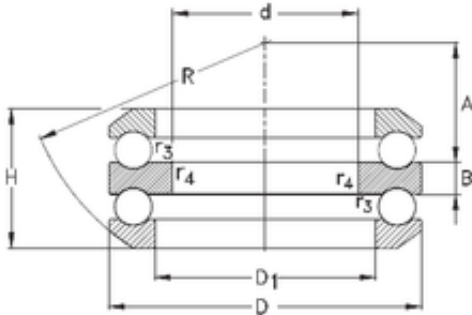




NTN Machinery Manufacturing Co., Ltd

20 mm x 47 mm x 7 mm NKE 54205 thrust ball bearings

Bearing No. 54205



54205 Bearing 2D drawings and 3D CAD models

Size	20x47x31.4 mm
Bore Diameter	20 mm
Outer Diameter	47 mm
Width	31,4 mm
d	20 mm
D	47 mm
H	31,4 mm
r1 min.	0,6 mm
r2 min.	0,6 mm
r3 min.	0,3 mm
r4 min.	0,3 mm
A	16,5 mm
B	7 mm
D1	27 mm
R	40 mm
Weight	0,23 Kg
Basic dynamic load rating (C)	28 kN
Basic static load rating (C0)	50 kN