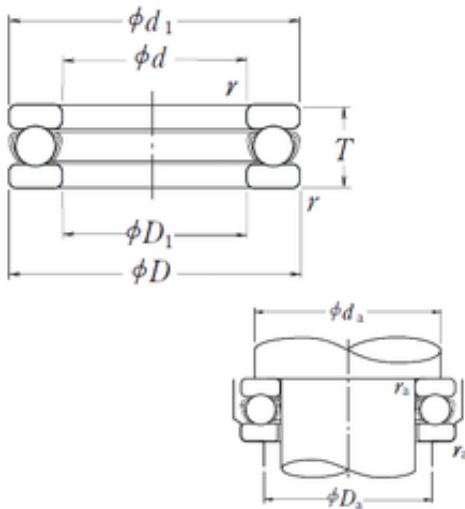




# NTN Machinery Manufacturing Co., Ltd



51268X Bearing 2D drawings and 3D CAD models

## NSK 51268X thrust ball bearings

Bearing No. 51268X

Size	340x460x96 mm
Bore Diameter	340 mm
Outer Diameter	460 mm
Width	96 mm
d	340 mm
D	460 mm
T	96 mm
d1	455 mm
r min.	3 mm
D1	345 mm
da min.	411 mm
Da max.	389 mm
ra max.	2,5 mm
Weight	47,9 Kg
Basic dynamic load rating (C)	595 kN
Basic static load rating (C0)	2800 kN
(Grease) Lubrication Speed	430 r/min
SRI	24
hidYobi	51268X
LangID	1
D_	460
SREX	0.16
C	595
B_	96
hidTable	ecat_NSSDTB
Oil rpm	630



## NTN Machinery Manufacturing Co., Ltd

SRE	24
mass	47.9
GRS rpm	430
ra	2.5
SRIX	0.16
D_a	389
SRIN	0
C0	2800
SREN	0
D_1	345
Prod_Type3	TB_SD_WFS
da	411
DA_	44.45
Z_	23
yobi	51268X
SDM_	400
r	3
T_	96
KBRG	511