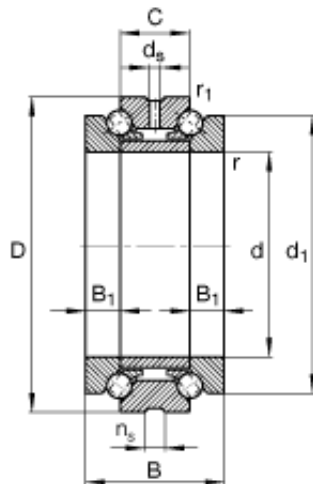




NTN Machinery Manufacturing Co., Ltd



269 mm x 400 mm x 164 mm FAG 234752-M-SP thrust ball bearings

Bearing No. 234752-M-SP

234752-M-SP Bearing 2D drawings and 3D CAD models

Size	269x400x164 mm
Bore Diameter	269 mm
Outer Diameter	400 mm
Width	164 mm
d	269 mm
D	400 mm
B	164 mm
B ₁	41 mm
C	82 mm
D _a	374,5 mm / Tolerance: H12
d ₁	354 mm
d _a	317,5 mm / Tolerance: h12
d _s	9,5 mm
n _s	17,7 mm
r _{1 min}	1,5 mm
r _{a max}	3 mm
r _{a1 max}	1,5 mm
r _{min}	4 mm
	60 ° / Angle
m	54,1 kg / Weight
C _a	400000 N / Dynamic load rating (axial)
C _{0a}	1680000 N / Static load rating (axial)



NTN Machinery Manufacturing Co., Ltd

$n_{G\text{ Fett}}$	1400 1/min / Limiting speed for grease lubrication
$n_{G\text{ Oil}}$	1900 1/min / Limiting speed for minimal quantity oil lubrication