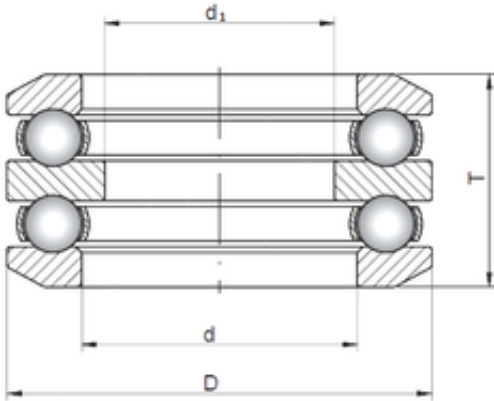




NTN Machinery Manufacturing Co., Ltd

ISO 54417 thrust ball bearings



Bearing No. 54417

Size	88x180x138 mm
Bore Diameter	88 mm
Outer Diameter	180 mm
Width	138 mm
d	88 mm
d_1	65 mm
D	180 mm
T	138 mm

54417 Bearing 2D drawings and 3D CAD models