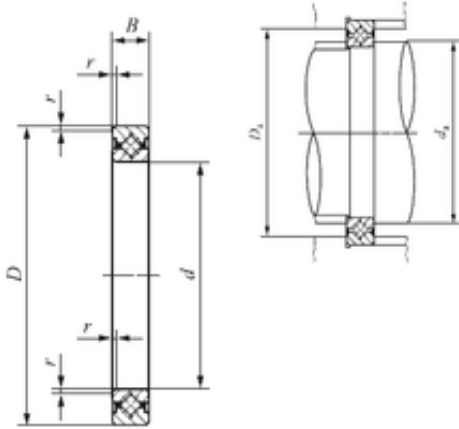




NTN Machinery Manufacturing Co., Ltd

190 mm x 216 mm x 13 mm IKO CRBS 19013 thrust roller bearings

Bearing No. CRBS 19013



CRBS 19013 Bearing 2D drawings and 3D CAD models

Size	190x216x13 mm
Bore Diameter	190 mm
Outer Diameter	216 mm
Width	13 mm
d	190 mm
D	216 mm
B	13 mm
r min.	0.6 mm
Da	209 mm
da	196 mm
Weight	0,74 Kg
Basic dynamic load rating (C)	22,1 kN