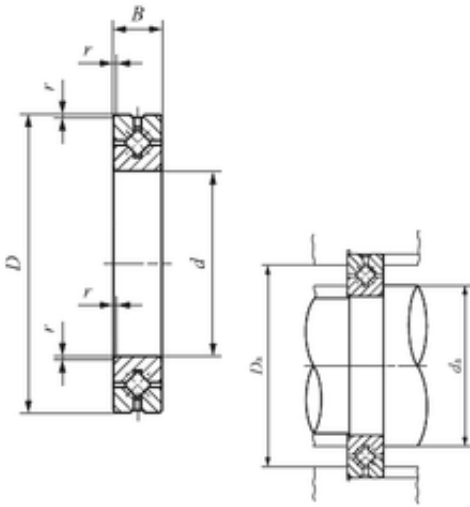




NTN Machinery Manufacturing Co., Ltd

150 mm x 210 mm x 25 mm IKO CRBH 15025 A thrust roller bearings

Bearing No. CRBH 15025 A



CRBH 15025 A Bearing 2D drawings and 3D CAD models

Size	150x210x25 mm
Bore Diameter	150 mm
Outer Diameter	210 mm
Width	25 mm
d	150 mm
D	210 mm
B	25 mm
r min.	1 mm
Da	198 mm
da	162 mm
Weight	3,16 Kg
Basic dynamic load rating (C)	84,3 kN