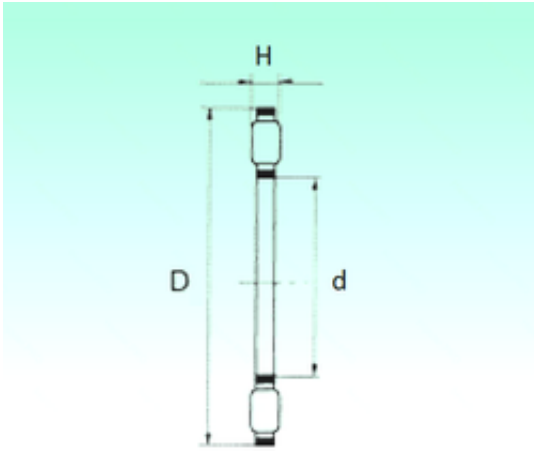




NTN Machinery Manufacturing Co., Ltd



NBS K81218TN thrust roller bearings

Bearing No. K81218TN

Bore Diameter	90 mm
Outer Diameter	135 mm
d	90 mm
D	135 mm
Dw	14 mm
Weight	0,542 Kg
Basic dynamic load rating (C)	288,9 kN
Basic static load rating (C0)	886,9 kN

K81218TN Bearing 2D drawings and 3D CAD models